

NEW



BACKHOE LOADER | 3CX COMPACT

Gross power: 55kW (74hp) | Maximum dig depth: 4.33m | Weight: 6070kg



SERVICE CAPACITIES

Cooling system	ltr	16
Fuel tank	ltr	80
Engine oil sump	ltr	11.2
Hydraulic system (including transmission)	ltr	104
Rear axle	ltr	9.0
Front drive axle	ltr	9.0

AXLES

	Front	Rear
Type	JCB Max-trac steer drive torque proportioning	
Axle ratings	kg	
Static load rating	7484	
Dynamic load rating	3765	
Oscillation angle	9.5°	–
Steering ram	Double acting	Double acting

STEERING

Steering axles	Front and rear
Steering turns – lock to lock	4
Turning circle:	m
Inner wheels braked	5.8
Inner wheels not braked	6.7

OPERATING WEIGHTS

10ft Extradig	kg	6070
---------------	----	------

Operating weight includes machine with 6-in-1 shovel, 600mm excavator bucket, extended dipper, full fuel tank and operator.

Actual weight will vary depending on machine options.

BRAKES

The JCB braking system ensures effective, fade free braking. The self-adjusting, multi-disc arrangement is inboard mounted and is oil immersed for minimum maintenance and a long operating life.

- Split brake pedals provide tighter turning circle and enhanced steering control on slippery ground.
- Automatic compensation ensures 'straight' machine braking.
- Disc diameter: 165mm (6.5in). Friction area: 130502 sq.mm (202 sq.in) per brake.
- The independent parking brake is mounted on the input shaft rear axle and will hold the machine on 1:2 gradients. High-retraction brakes and transmission disconnect reduce power loss and brake pad wear.

HYDRAULIC SYSTEM

Closed centre system (piston pump) offering variable flow hydraulics, providing best in class controllability. ISO control system with a new Eco excavating mode for fuel saving.

Pump flow at 2350rpm	l/min	100*
System relief pressure	bar	230

*100% efficiency

TYRES

340/80 x R18 Michelin XMCL (Radial)

340/80 x R18 Sitemaster Industrial (Cross-ply)

340/80 x 18 Michelin Power CL (Cross-ply)

NOISE AND VIBRATION LEVELS

Internal	dB(A)	71
External	dB(A)	100.04

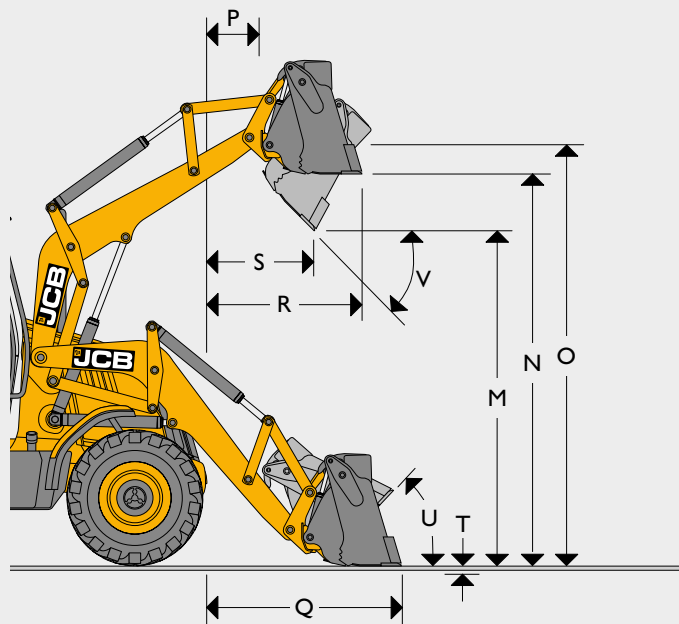
CAB

- Excellent visibility (and safety) is provided by the extra large tinted glass areas. Cab frame is ROPS and FOPS approved for maximum operator protection. ISO standard 3471 and 3449 (SAE J1040 and J231).
- A fully adjustable air suspension seat combines with ergonomically positioned controls to minimise operator fatigue.
- A single DIN radio location is provided as standard plus twin speakers for stereo sound.
- Cab provides easy access through a left hand single door. Standard features include: retractable seat belt, 3 speed fresh air / recycle heater, front and rear screen wash / wipers (cab), front and rear horn, exterior mirrors and flat easy-clean floor.
- Dual instrument panels in the front console for roading and the side console for loading and excavating.
- Fixed steer column.
- Large protected opening rear window (cab).
- 12V power supply.

LOADER DIMENSIONS

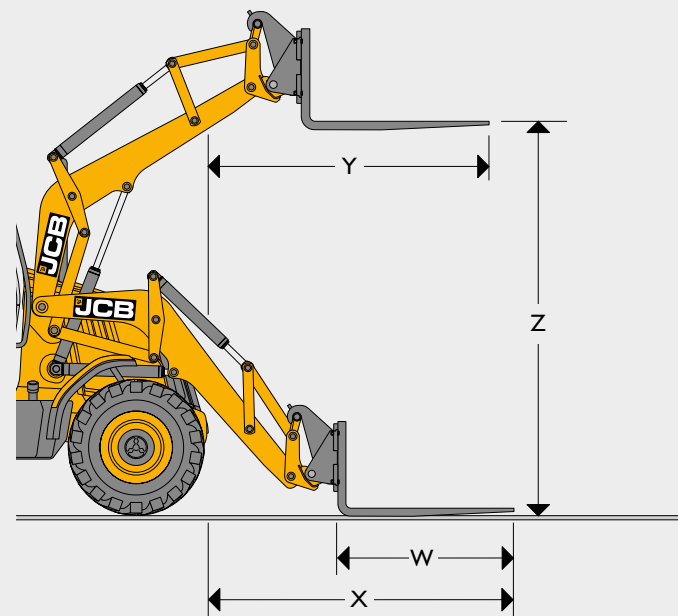
	G.P. Shovel	6-in-1 shovel	Narrow G.P. shovel
	m	m	m
Overall width with bucket	2.00	2.00	1.37
M Dump height	2.41	2.32	2.35
N Load over height	2.93	2.98	2.96
O Loader hinge pin height	3.18	3.18	3.18
P Pin forward reach	0.4	0.4	0.4
Q Reach at ground (toe plate horizontal)	1.54	1.54	1.58
R Max. reach at full height	1.11	1.11	1.24
S Reach at full height fully dumped	0.64	0.78	0.79
T Dig depth	0.12*	0.12*	0.12*
U Roll back at ground	45°	45°	45°
V Dump angle	45°	45°	45°
Jaw opening width	-	0.7	-

*With quickhitch.



LOADER ATTACHMENTS

	Quick Hitch Mounted forks
	m
W Forks - tine length	1.24
X Forks reach at ground level	2.19
Y Forks reach at full height	1.79
Z Forks lift height - max.	3.24
Fork spacing - min.	0.15
Fork spacing - max.	1.28
SWL @ 500mm load centres (kg)	1670
Max. rollback at ground (°)	9.8
Forks - tine width	0.1



LOADER ATTACHMENTS – SHOVELS

All loader shovels are drilled to accept optional auxiliary cutting edge or teeth. Flat top box section provides rigidity and assists in bucket levelling.

	Shovel Capacity SAE	
	Rated m ³	Struck m ³
G.P shovel (2000mm)	0.7 (0.92)	0.56 (0.73)
6 in I shovel (2000mm)	0.6 (0.78)	0.49 (0.64)
Narrow G.P shovel (1370mm)	0.6 (0.78)	0.49 (0.64)

BACKHOE ATTACHMENTS – BUCKETS

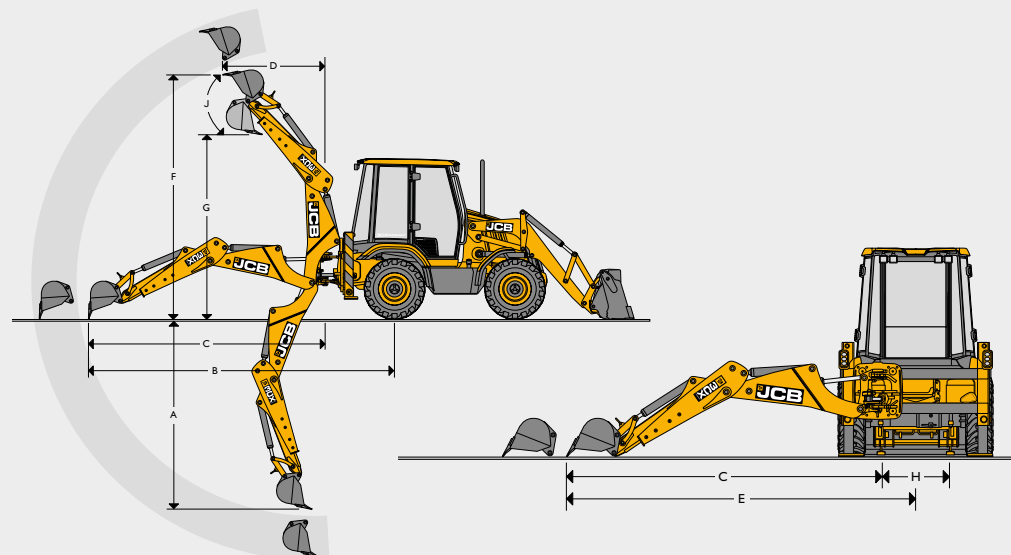
JCB Backhoe buckets are designed specifically for use on JCB machines with pin positions to maximize tearout, load retention and straight wall digging characteristics.

Width mm	Capacity SAE	
	Rated m ³	Struck m ³
230	0.028	0.022
300	0.03	0.03
350	0.04	0.03
400	0.05	0.04
450	0.06	0.05
600	0.09	0.07
750	0.11	0.09
1200	0.16	-

BACKHOE ATTACHMENTS – BUCKETS

	Weight kg	Impact energy J
HM166Q	162	252
HM266Q	244	376

BACKHOE DIMENSIONS



			10ft Standard dipper	10ft Extradig	12ft Standard dipper	12ft Extradig	
			m	m	m	m	
A	SAE max dig depth	m	Ext	3.07	3.72	3.68	4.33
			Ret	-	3.07	-	3.68
	SAE 2ft flat bottom	m	Ext	3.04	3.70	3.61	4.26
			Ret	-	3.04	-	3.61
B	Reach – ground level to rear wheel centre		Ext	5.19	5.81	5.82	6.43
			Ret	-	5.19	-	5.81
C	Reach – ground level to slew centre	m	Ext	3.99	4.60	4.61	5.22
			Ret	-	3.99	-	4.60
D	Reach – at full height to slew centre	m	Ext	1.14	1.90	2.67	3.16
			Ret	-	1.41	-	2.67
E	Side reach – to centre line of machine	m	Ext	4.43	5.05	5.15	5.73
			Ret	-	4.43	-	2.67
F	SAE operating height	m	Ext	4.05	4.43	4.57	4.95
			Ret	-	4.05	-	4.57
G	Maximum loadover height	m	Ext	2.75	3.22	3.30	3.72
			Ret	-	2.75	-	3.30
	SAE loadover height	m	Ext	2.72	3.18	3.27	3.68
			Ret	-	2.71	-	3.26
H	Total kingpost travel	m		1.00	1.00	1.00	1.00
J	Bucket rotation			187°	187°	187°	187°